

PARKER

AC YOKE INSPECTION AT REMOTE WORKSITES WITH NO OUTSIDE POWER SOURCE, NO GENERATOR...
WITH THE NEW PARKER BAC310 PORTABLE, BATTERY OPERATED AC POWER SUPPLY



- STAND-ALONE BATTERY-POWERED A.C. POWER SUPPLY – FOR PARKER A.C. YOKES.
- ON-THE-SPOT A.C. POWER – INDEPENDENT OF ANY OUTSIDE POWER SOURCE.
- TOTALLY PORTABLE FOR SHOP OR FIELD APPLICATIONS.
- PROVIDES FOR COMPLIANCE WITH APPLICABLE SPECIFICATIONS.



WEB SITE: <http://www.parkreshcorp.com>

1-800-525-3935

PARKER RESEARCH CORP.

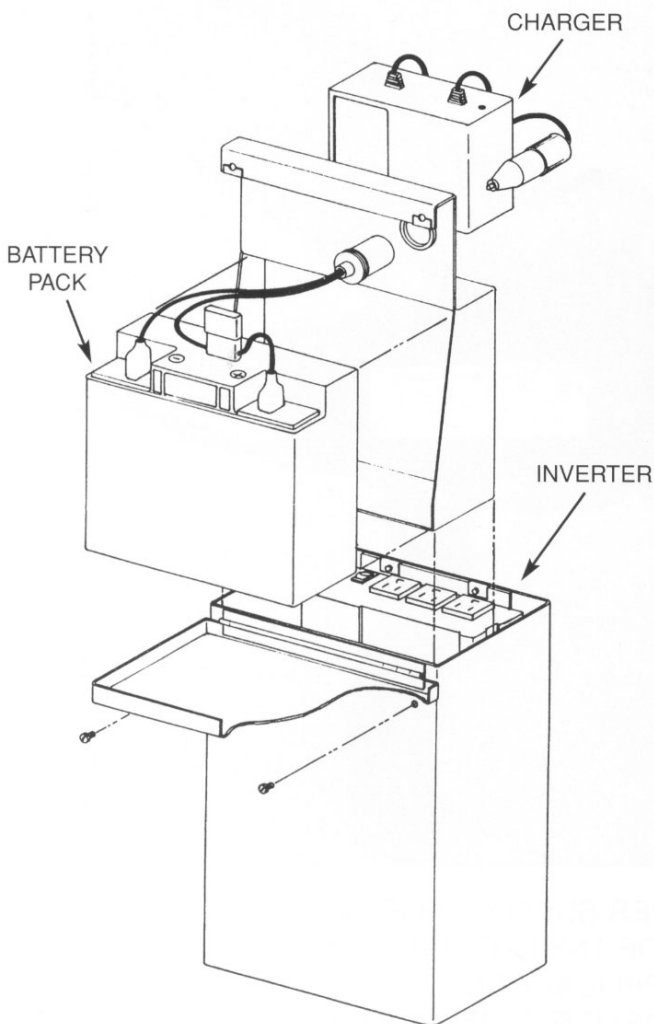
P.O. BOX 1406, DUNEDIN, FLORIDA 34697 USA

Phone: (727) 796-4066, Fax: (727) 797-3941

INSTRUMENT DESCRIPTION: The BAC310 battery-operated Power Supply is a totally portable, stand-alone 110 VAC power source for operating Parker 300 series Contour Probes® (Yokes) models B300 and B310. In addition, the Parker model B310 BDC (12 VDC) Contour Probe may also be operated from the BAC310 by direct connection to the female battery plug.

The BAC310 operates independently from any outside power source. Power is derived from the internal 12 VDC battery, which is inverted to 110 VAC output through the inverter circuitry. A separate battery charger is provided for overnight charging of the battery. The entire unity is contained within a heavy-duty steel case 11½" H × 7½"W × 5½" D and weighs only 28 pounds. The unit may be used in any shop or field application and is ideal in areas where normal A.C. line power is not available or where outside power sources may present a safety concern.

Plug the Parker B310 or B300 Contour Probes (Yokes) into the standard BAC310 outlet. There is nothing else to do. The Contour Probes will function as they would normally from any other A.C. power source. Follow operating instructions for the individual Probe for correct and normal A.C. Yoke inspection techniques and requirements. The B310 and B300 Contour Probes will exceed applicable Magnetic Particle specification requirements.



BAC310 A.C. POWER SUPPLY ASSEMBLY	
Dedicated use	B300/B310 AC Probes
Current draw	7.5A (B310)
Approximate running time	2 hours
Total weight	28 lb (12.7 Kg)
BAC310-600 INVERTER	
Maximum continuous power	600 W
Surge capacity (peak power)	1200 W
Maximum efficiency	Approx. 90%
No load current draw	0.8 A
Low voltage shutdown activation	10.0 V
Low voltage alarm activation	10.6 V
Wave form	Modified sine wave
Fuses	Three (3) 25 A spade type
Weight	4.25 lb (1.9 Kg)
BP20 BATTERY PACK	
Type	Rechargeable sealed lead acid
Rating	12 V. 20 Ah / 20 hr
Fuse	20 A inline spade type
Weight	14.3 lb (6.5 Kg)
BC310 CHARGER	
Type	Fully automatic
Input	115 VAC
Output	12 VDC, 1.5 A
Weight	1.9 lb (0.87 Kg)



WEB SITE: <http://www.parkreshcorp.com>

1-800-525-3935

PARKER RESEARCH CORP.

P.O. BOX 1406, DUNEDIN, FLORIDA 34697 USA

Phone: (727) 796-4066, Fax: (727) 797-3941